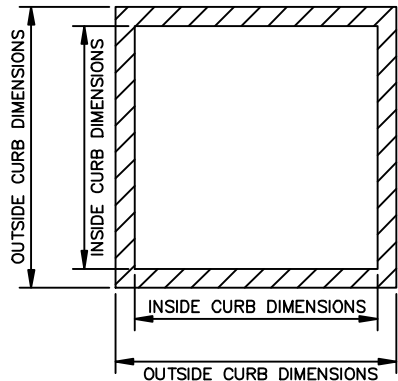
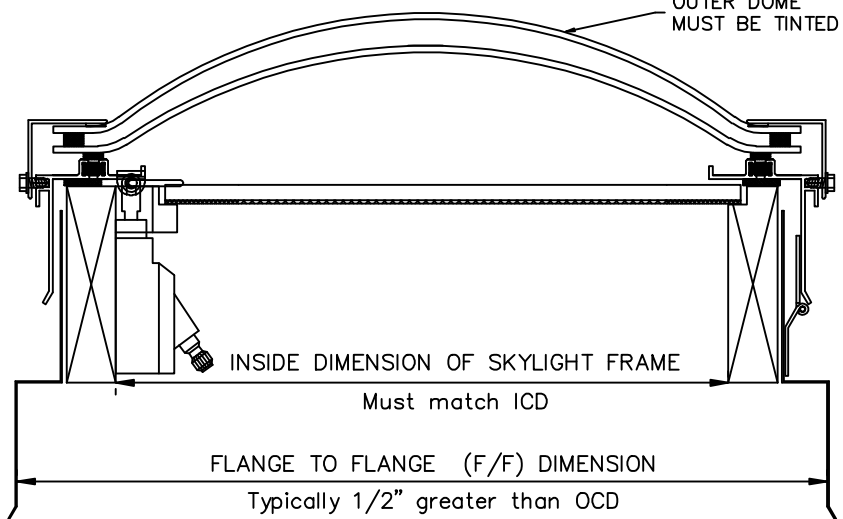


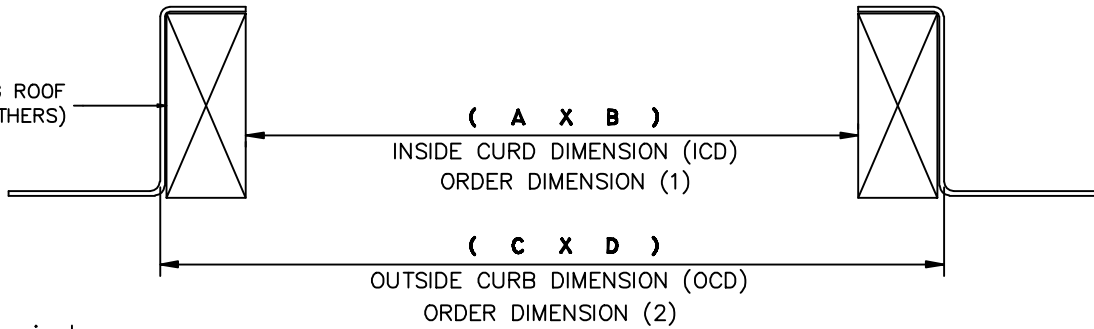
OUTER DOME
MUST BE TINTED



1 CURB PLAN VIEW
Scale: NTS

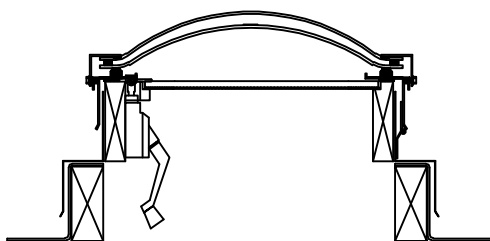


FINISH CURB INCLUDING ROOF
MATERIALS (BY OTHERS)

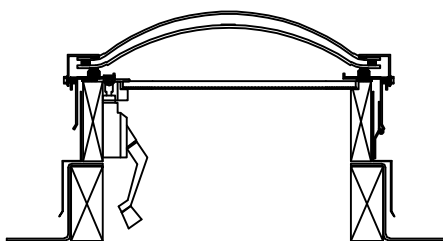


NOTE:

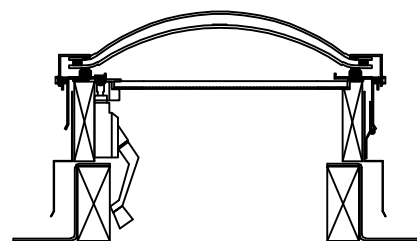
- Both ICD and OCD are required order dimensions



SKYLIGHT TOO SMALL NO SUPPORT



CORRECT FIT



SKYLIGHT TOO LARGE HARDWARE OBSTRUCTED

| | | | | | |
|----------------------------------|--------------------|---------|--------|----------|---------|
| V-CMA-TB (ORDER FORM) | | | | | |
| Model | Dimensions (ID/OD) | Glazing | Finish | Quantity | Project |



TITLE: VENTING - CURB MOUNT ACRYLIC - THERMALLY BROKEN (ORDER FORM)

| | | |
|-----------|----------------|-------------------------|
| Rev. Date | April 23, 2012 | Sheet: 1 OF 1 |
| Drawn By | AP | |
| Rev. By | CRH | Dwg No. |
| Engineer: | AP | V-CMA-TB 042312 |

ORCA Manufacturing, inc.
P.O. Box 992
Hurlock, MD 21643
PHONE (800) 776-1539
FAX (410)-943-8245
www.starlightskylights.com