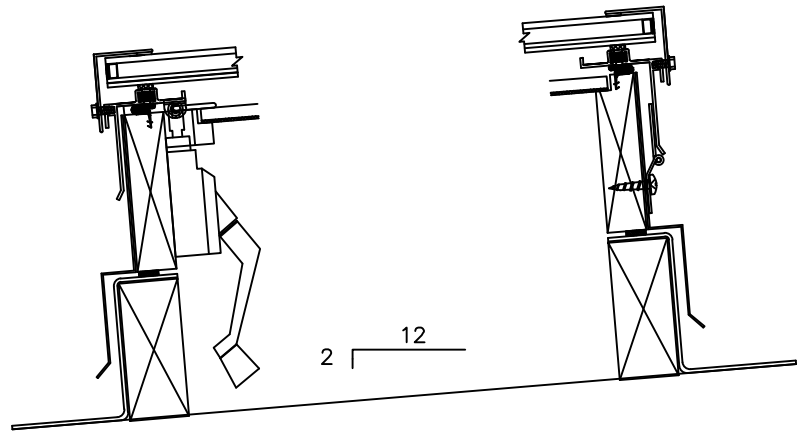


**NOTE:**

- \* Both ICD & OCD are required order dimensions
- \* 2/12 or greater pitch required or use Flat Roof System as an option



**VENTING - CURB MOUNT GLASS - SPECIFICATION:**

Venting- Curb Mount Glass; Thermally Broken, as manufactured by ORCA Manufacturing, Inc., with insulated glass unit (Clear tempered over tempered standard, Low-E, tinted or laminated as an option) in a welded thermally broken, extruded aluminum sash with built in condensation gutter. Finish in bronze, (or white gloss enamel as an option).

V-CMG-TB					
Model	Dimensions (ID/OD)	Glazing	Finish	Quantity	Project



<b>TITLE:</b> VENTING - CURB MOUNT GLASS - THERMALLY BROKEN		ORCA Manufacturing, inc. P.O. Box 992 Hurlock, MD 21643 PHONE (800) 776-1539 FAX (410)-943-8245 www.starlightskylights.com	
Rev. Date	April 23, 2012		
Drawn By	AP		Sheet: 1 OF 1
Rev. By	CRH		Dwg No. V-CMG-TB 042312
Engineer:	AP		