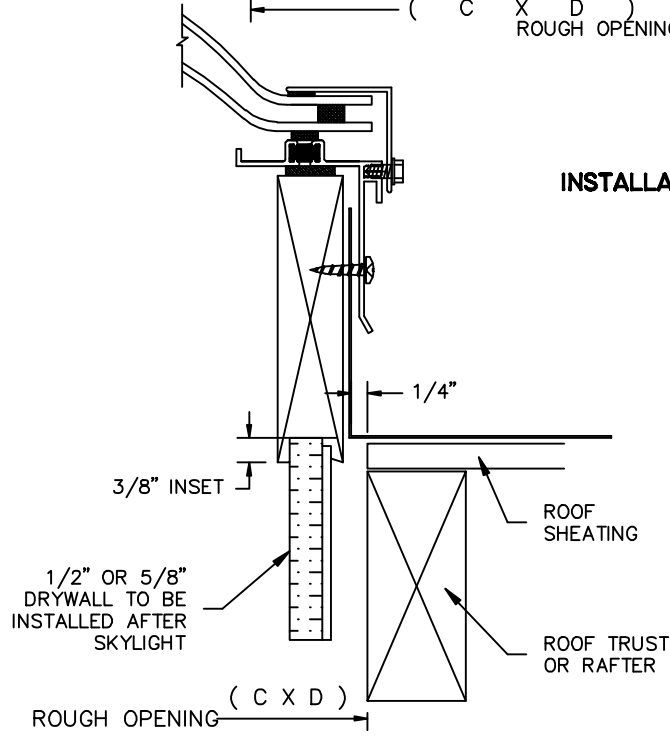
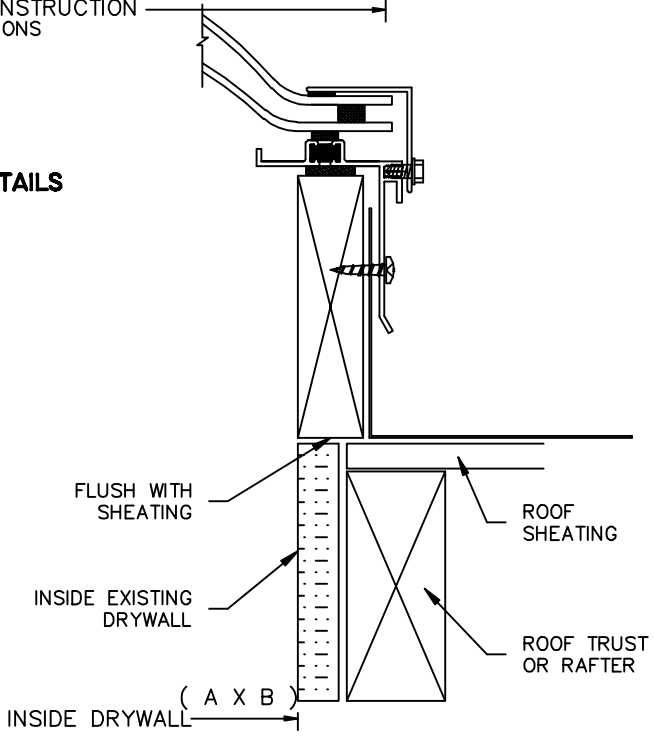


INSTALLATION DETAILS



STANDARD - NEW CONSTRUCTION

(ORDER BY ROUGH OPENING (R.O.))
 Unit outside dimensions will be 1/2" smaller than the (R.O.) for clearance



FLUSH NO GROOVE - REMODELING

(ORDER BY INSIDE DRYWALL DIMENSION)
 Unit inside dimensions will be same as inside drywall dimension to minimize trimming out

- Dimensions (Choose one)**
- Inside Dimensions = (A X B)
 - Rough Opening = (C X D)
 - Outside Dimensions = (E X F)

SFA-TB-SS					
Model	Dimensions(ID/RO/OD)	Glazing	Finish	Quantity	Project



TITLE: SELF FLASHING ACRYLIC - THERMALLY BROKEN STARLIGHT SKYLIGHTS

Rev. Date	April 18, 2012	Sheet: 1 OF 1
Drawn By	AP	
Rev. By	CRH	Dwg No. SFA-TB-SS 041812
Engineer:	AP	

ORCA Manufacturing, inc.
 P.O. Box 992
 Hurlock, MD 21643
 PHONE (800) 776-1539
 FAX (410)-943-8245
 www.starlightskylights.com