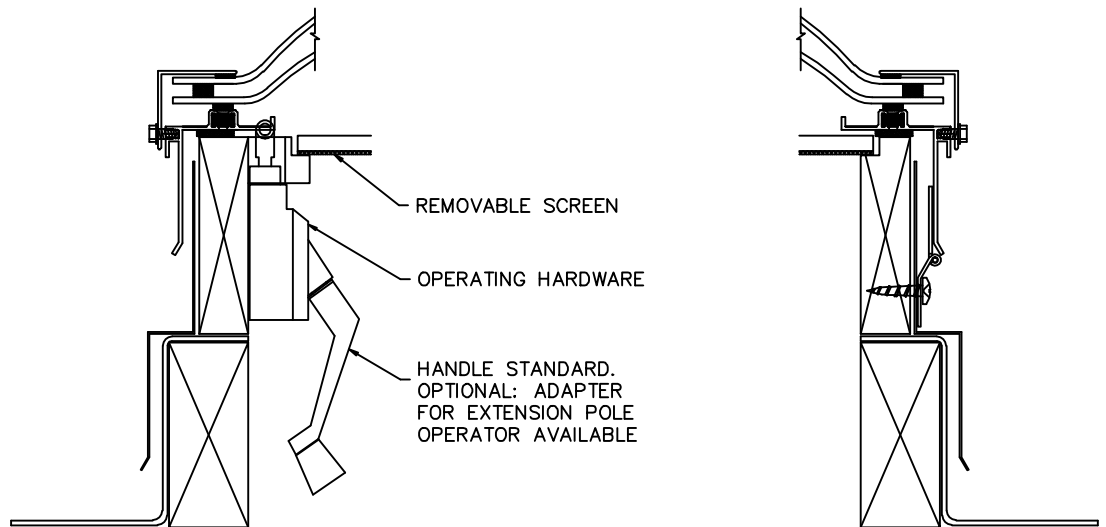


NOTE:
 - Both ICD and OCD are required order dimensions



VENTING - CURB MOUNT ACRYLIC - SPECIFICATION:

Venting- Curb Mount Acrylic; Thermally Broken, as manufactured by ORCA Manufacturing, Inc., with seal insulated double acrylic domes (Bronze over Clear standard, White tint available as an option) in a welded thermally broken, extruded aluminum sash with built in condensation gutter. Finish in bronze or mill, (white gloss enamel as an option).

NOTE: THE OUTER DOME MUST BE TINTED

V-CMA-TB					
Model	Dimensions (ID/OD)	Glazing	Finish	Quantity	Project



TITLE: VENTING - CURB MOUNT ACRYLIC - THERMALLY BROKEN

Rev. Date	April 23, 2012	Sheet: 1 OF 1
Drawn By	AP	
Rev. By	CRH	Dwg No.
Engineer:	AP	V-CMA-TB 042312

ORCA Manufacturing, inc.
 P.O. Box 992
 Hurlock, MD 21643
 PHONE (800) 776-1539
 FAX (410)-943-8245
 www.starlightskylights.com